

WORKING LOAD LIMIT

2.500 kgs. / 5,511 lbs.

SAFETY FACTOR 4:1

TOP LINK OPTION*

--	Ω	P2	ML3.15	ML5.4
	REF.: OPTION UC08	REF.: OPTION UMP8	REF.: OPTION UMS16	REF.: OPTION UMS18

* go to page 20 for more details on Top Link options

APPROXIMATE WEIGHT

7 kgs. 15.43 lbs.	7.2 kgs. 15.87 lbs.	7.3 kgs. 16.09 lbs.	8.5 kgs. 18.74 lbs.	9.5 kgs. 20.94 lbs.
----------------------	------------------------	------------------------	------------------------	------------------------

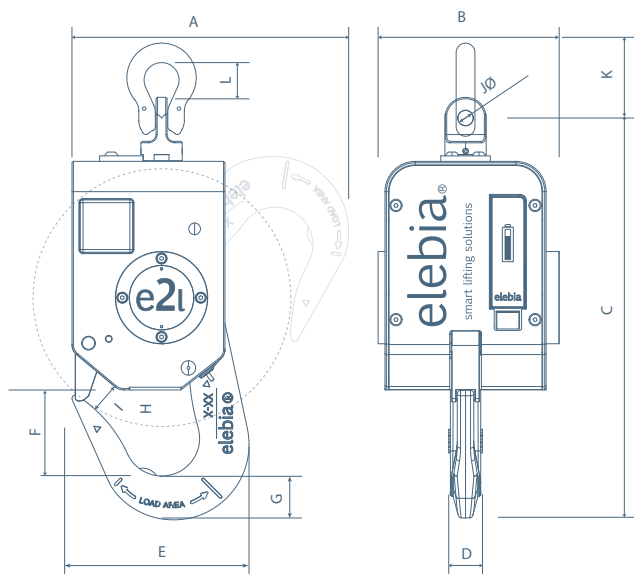
MAX. RELEASABLE WEIGHT

8 kgs. / 17.64 lbs.

SIZE CHART

mm / in

A	215,3 / 8.47	215,3 / 8.47	215,3 / 8.47	215,3 / 8.47	215,3 / 8.47
B	131,5 / 5.18	131,5 / 5.18	131,5 / 5.18	131,5 / 5.18	131,5 / 5.18
C	294,4 / 11.59	294,4 / 11.59	294,4 / 11.59	294,4 / 11.59	294,4 / 11.59
D	22 / 0.87	22 / 0.87	22 / 0.87	22 / 0.87	22 / 0.87
E	129 / 5.07	129 / 5.07	129 / 5.07	129 / 5.07	129 / 5.07
F	59 / 2.32	59 / 2.32	59 / 2.32	59 / 2.32	59 / 2.32
G	32 / 1.25	32 / 1.25	32 / 1.25	32 / 1.25	32 / 1.25
H	27,1 / 1.06	27,1 / 1.06	27,1 / 1.06	27,1 / 1.06	27,1 / 1.06
I	21,5 / 0.84	21,5 / 0.84	21,5 / 0.84	21,5 / 0.84	21,5 / 0.84
J	11 / 0.43	11 / 0.43	11 / 0.43	11 / 0.43	11 / 0.43
K	- / -	55 / 2.16	111 / 4.37	161 / 6.34	178 / 7
L	- / -	23,5 / 0.92	- / -	- / -	- / -



Disclaimer: This chart is for information only. The manufacturer reserves the right to modify specifications.